

Metro Koring & Supply, Inc.

How to Order Steel Risers Not Found In Table

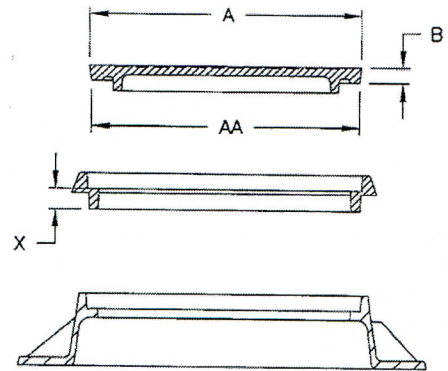
If EJIW frame is used specify the following:

1. Specify EJIW catalog number of frame to be raised
2. Rise required in 1/4" increments starting at 3/4" - Dim X
3. Type - Solid or Adjustable

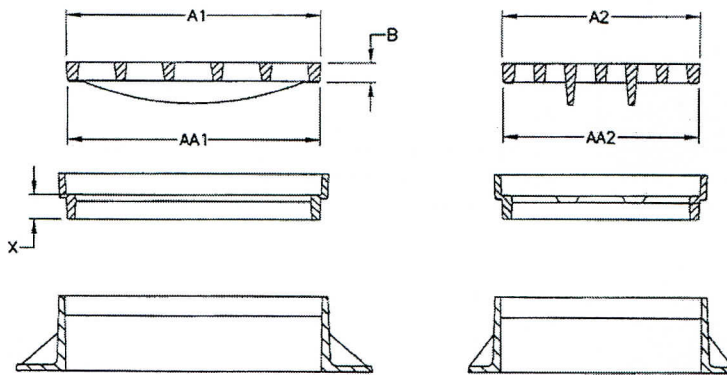
If the frame origin is unknown specify the following:

1. Top diameter or length and width of existing cover or grate - Dim.A
2. Bottom diameter or length and width of existing cover or grate - Dim.AA
3. Thickness of cover or grate - Dim. B
4. Rise required in 1/4" increments starting at 3/4" - Dim X
5. Type - Solid or Adjustable

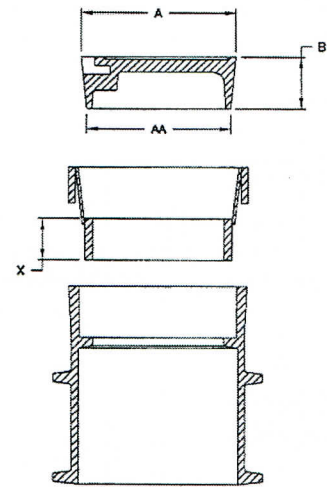
Specify location where riser will be installed if individual labeling is required.



MANHOLE RISER



CATCH BASIN RISER



VALVE BOX RISER

RISER WORKSHEET

EJIW Cat. No.	A	AA	B	X	Riser Type		Catch Basin 3 or 4 Side	Location Identification	Qty
	Top	Bottom	Lid Thk.	Rise	Solid	Adjust.			

All steel risers come drilled and tapped with allen head set screws installed.

Please fax to (770) 516-1746